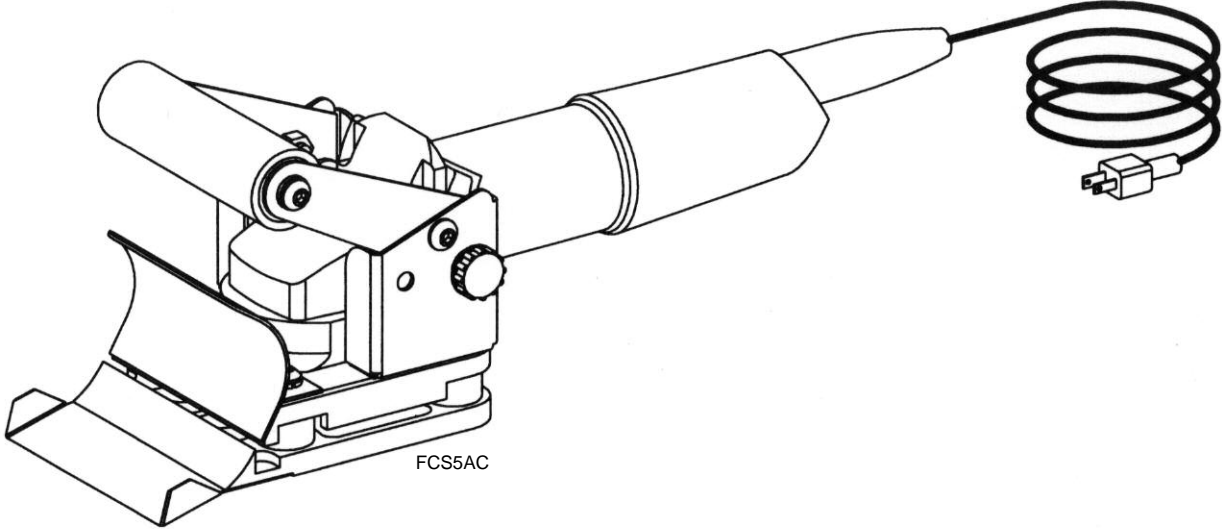
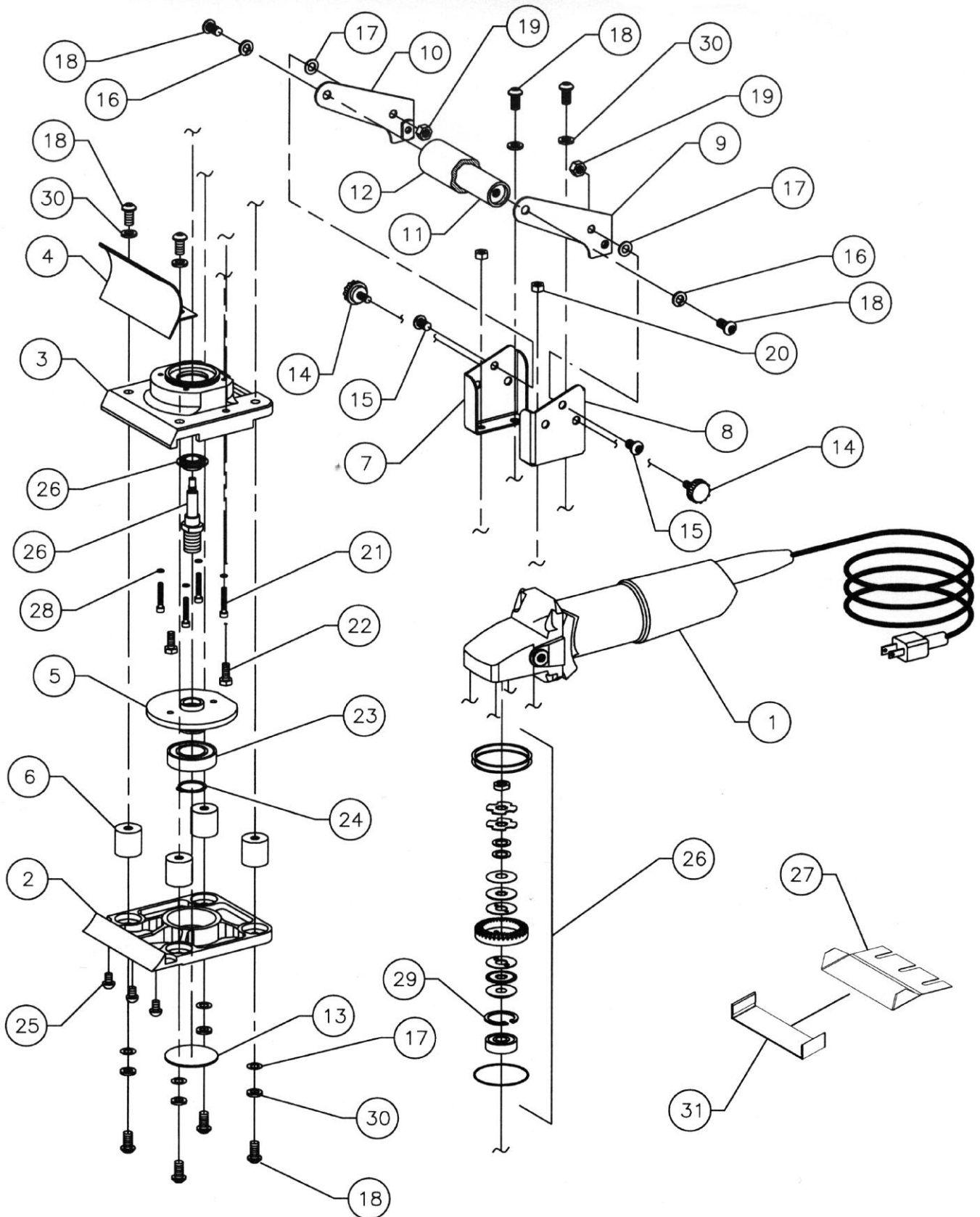


Replacement Parts Diagrams



FCS5AC Floor Covering Scraper



FCS5AC Floor Covering Scraper

REFERENCE NUMBER	PART NUMBER	DESCRIPTION	QTY
1	FCS5AC-0010	Grinder, AC	1
2	FCS5-0010	Plate, Exciter	1
3	FCS5AC-0020	Plate, Top	1
4	FCS5-0060	Weldment, Guard	1
5	FCS5AC-0070	Flywheel	1
6	FCS5-0070	Mount, Rubber	4
7	FCS5-0055	Handle, Base (RH)	1
8	FCS5-0050	Handle, Base (LH)	1
9	FCS5-0030	Weldment, Handle (RH)	1
10	FCS5-0035	Weldment, Handle (LH)	1
11	FCS5-0040	Handle Assembly	1
12	FCS5-1700	Grip, Foam	1
13	FCS5-1900	Plug, Welsh Type	1
14	FCS5-1000	Knob, 1/4-20 UNC x 9/16"	2
15	55050400	Capscrew, Socket, Button-Head, 5/16-18 x 1/2", Plated	2
16	57050000	Washer, Lock, 5/16", External Tooth	2
17	AN-960-516L	Washer, AN Type, 5/16", Plated	6
18	55050500	Capscrew, Socket, Button-Head, 5/16-18 x 5/8", Plated	10
19	52050000	Nut, Lock, 2-Way, 5/16-18 UNC, Plated	2
20	52040000	Nut, Lock, 2-Way, 1/4-20 UNC, Plated	2
21	60042501	Capscrew, Socket-Head, M4 x 25mm	4
22	FCS5-0100	Bolt, Square Head, 1/4-20 x 1", Plated	2
23	6005-2RS	Bearing, Ball	1
24	5100-98	Ring, Snap, External	1
25	55040300	Capscrew, Socket, Button-Head, 1/4-20 x 3/8", Plated	3
26	Not Serviced	Not Serviced	NA
27	FCS5-1500	Blade, Scoring	1
28	57040001	Washer, Lock, 4mm, Internal Tooth	4
29	FCS5-0110	Ring, Snap, Internal	2
30	16050000	Washer, Lock, 5/16", Plated	8
31	FCS5-1800	Guard, Blade	1

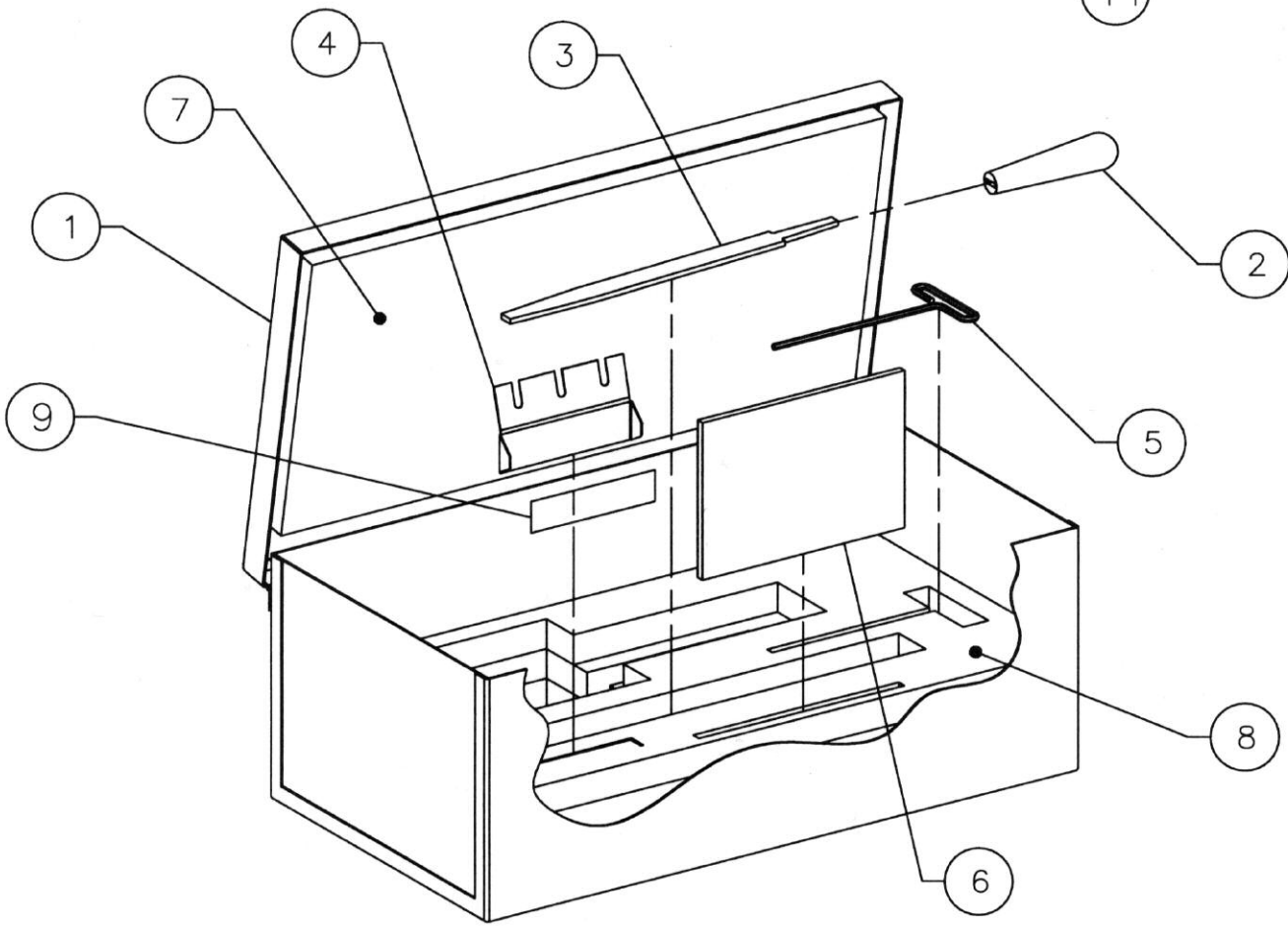
FCS5AC Floor Covering Scraper

	CAUTION
	AIRBORNE PARTICLES, VIBRATION AND NOISE HAZARDS. WEAR EYE, EAR AND PROTECTIVE GLOVES.



9 10

	CUSTOMER SERVICE INFORMATION Avoid injury. Use this product properly. Don't be afraid to ask for help. For technical or application assistance for this product, first contact your dealer or distributor. If you need more information, contact the customer service department. General Equipment Company, 2000 Lansdowne Dr., P.O. Box 200, St. Louis, MO 63103, (314) 291-4400 or (800) 368-1111. Some restrictions may apply. Form is not guaranteed. General number and/or model number may change without notice. ©2002-2003
-----------------------------------------------------------------------------------	--------------------------------------------------------------------------------------------------------------------------------------------------------------------------------------------------------------------------------------------------------------------------------------------------------------------------------------------------------------------------------------------------------------------------------------------------------------------------------------------------------------------------------------------------------------------



FCS5AC Floor Covering Scrapper Tool Box

REFERENCE NUMBER	PART NUMBER	DESCRIPTION	QTY
1	FCS5-2400	Case, Storage	1
2	FCS16-0250	Handle, File, Long Ferrule	1
3	FCS16-0270	File, Mil Bastard	1
4	FCS5-1500	Blade, Scoring	1
5	FCS5-3000	Wrench, Allen, T-Handle, 5/32" x 6"	1
6	999-3067	DVD, Safety and Operational	1
7	FCS5-0080	Foam, Cover	1
8	FCS5-2000	Foam, Insert	1
9	SG24-5072	Decal, Assistance	1
10	FCS5-5020	Decal, Caution	1
11	FCS5-5050	Decal, RIP-R-STRIPPER	1